

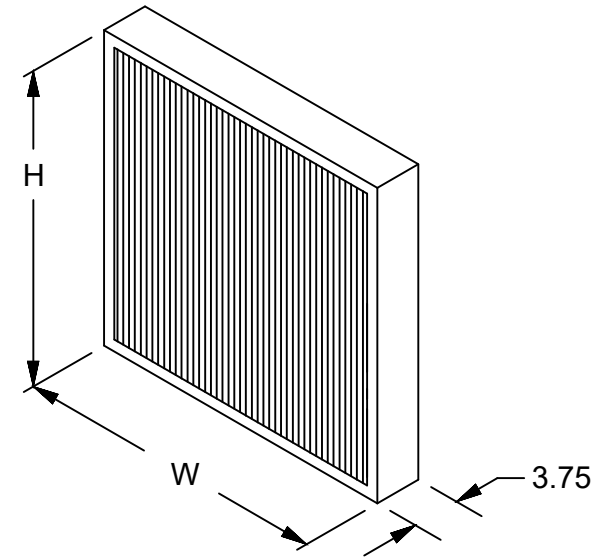
| Nominal Size W x H x D (in) | Actual Size W x H x D (in) | Part Number | Capacity (CFM) | Resistance (in W.G.) | Media Area (sq ft) | Carton Qty | Weight per Carton (lbs) |
|-----------------------------------|----------------------------------|--------------|-------------------|-------------------------|-----------------------|------------|----------------------------|
| 24 x 24 x 4 | 23-3/8 x 23-3/8 x 3-3/4 | 120-624-2424 | 2000 | 0.21 | 68 | 3 | 18 |
| 25 x 20 x 4 | 24-3/8 x 19-3/8 x 3-3/4 | 120-624-2520 | 1750 | 0.21 | 59 | 3 | 16 |
| 25 x 18 x 4 | 24-3/8 x 17-3/8 x 3-3/4 | 120-624-2518 | 1575 | 0.21 | 53 | 3 | 15 |
| 25 x 16 x 4 | 24-3/8 x 15-3/8 x 3-3/4 | 120-624-2516 | 1400 | 0.21 | 47 | 3 | 13 |
| 24 x 20 x 4 | 23-3/8 x 19-3/8 x 3-3/4 | 120-624-2420 | 1675 | 0.21 | 58 | 3 | 15 |
| 20 x 24 x 4 | 19-3/8 x 23-3/8 x 3-3/4 | 120-624-2024 | 1675 | 0.21 | 57 | 3 | 15 |
| 20 x 20 x 4 | 19-3/8 x 19-3/8 x 3-3/4 | 120-624-2020 | 1400 | 0.21 | 48 | 3 | 13 |
| 18 x 24 x 4 | 17-3/8 x 23-3/8 x 3-3/4 | 120-624-1824 | 1500 | 0.21 | 53 | 3 | 14 |
| 18 x 20 x 4 | 17-3/8 x 19-3/8 x 3-3/4 | 120-624-1820 | 1250 | 0.21 | 44 | 3 | 12 |
| 16 x 25 x 4 | 15-3/8 x 24-3/8 x 3-3/4 | 120-624-1625 | 1400 | 0.21 | 48 | 3 | 13 |
| 16 x 24 x 4 | 15-3/8 x 23-3/8 x 3-3/4 | 120-624-1624 | 1350 | 0.21 | 46 | 3 | 12 |
| 16 x 20 x 4 | 15-3/8 x 19-3/8 x 3-3/4 | 120-624-1620 | 1125 | 0.21 | 38 | 3 | 10 |
| 16 x 16 x 4 | 15-3/8 x 15-3/8 x 3-3/4 | 120-624-1616 | 900 | 0.21 | 31 | 3 | 9 |
| 14 x 20 x 4 | 13-3/8 x 19-3/8 x 3-3/4 | 120-624-1420 | 975 | 0.21 | 34 | 3 | 10 |
| 12 x 24 x 4 | 11-3/8 x 23-3/8 x 3-3/4 | 120-624-1224 | 1000 | 0.21 | 34 | 6 | 10 |
| 12 x 20 x 4 | 11-3/8 x 19-3/8 x 3-3/4 | 120-624-1220 | 850 | 0.21 | 28 | 6 | 8 |

Standard Construction:

1. Synthetic Media
2. Hotmelt Adhesive Media Separators
3. HIPS Frame

Specifications:

1. Efficiency: MERV 14 per ASHRAE Standard 52.2-2017
2. Final Resistance: 1.5" w.g.
3. Rated Velocity: 500 FPM
4. Classified per UL Standard 900
5. Maximum Operating Temperature: 150 degrees F (66 C)
6. Tolerance: Height & Width - +/- 1/8"
7. Tolerance: Depth - +/- 1/16"



**Micromax PL4S
MERV 14**

REV
LTR

REVISION

BY /
DATE

8401 Air Commerce Drive - Louisville KY 40219
Phone: (502) 634-4796 FAX: (502) 637-2280

Drawn By: Brent Chamberlain
Date: August 17, 2023

Revision